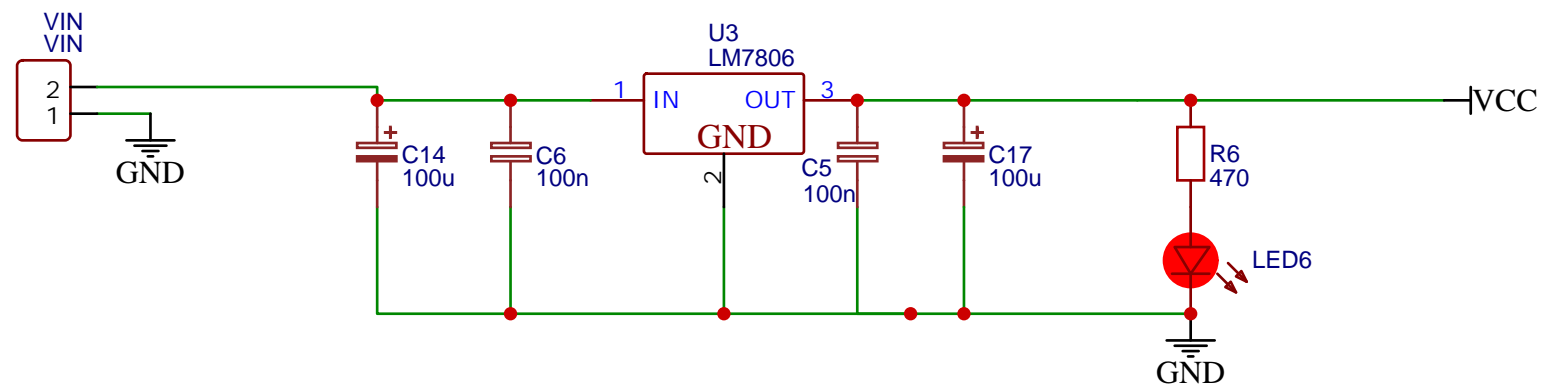


Voltage regulator

Input VIN = 7,2V-15V

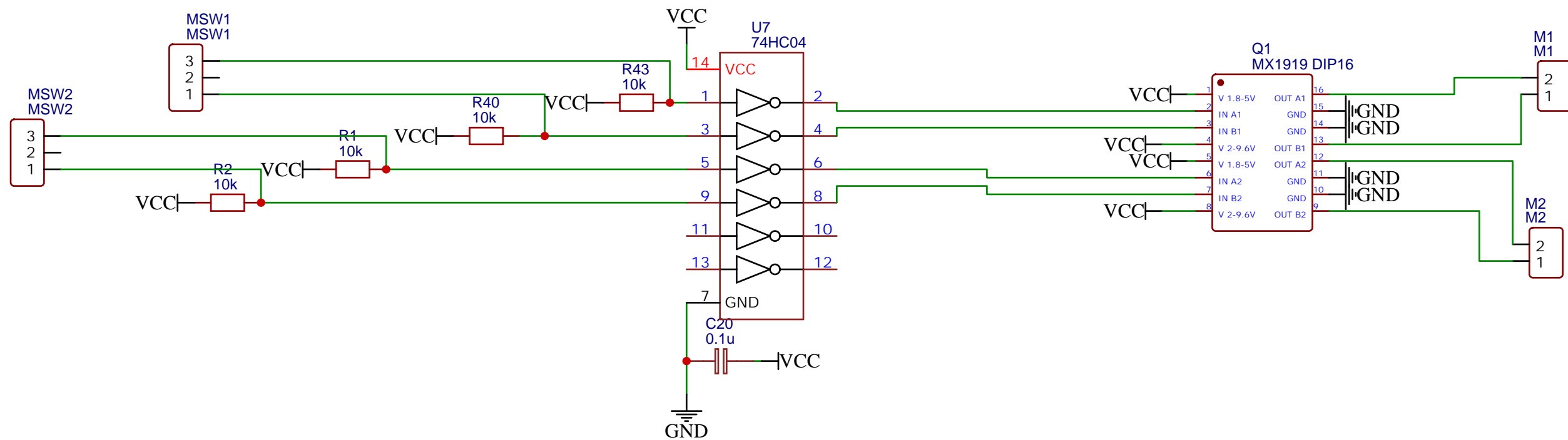
Output VCC = 5V

MAX current 1.5A



Dual motor driver

Input from multiswitch channel 1 & 3 pin = signal in, 2 pin = not in use



TITLE: YTSIO MSW HBRIDGE mk2		REV: 2.0
YTSIO	Company: YTSIO Engineering & creating	Sheet: 1/1
	Date: 29-04-2024	Drawn By: YTSIO