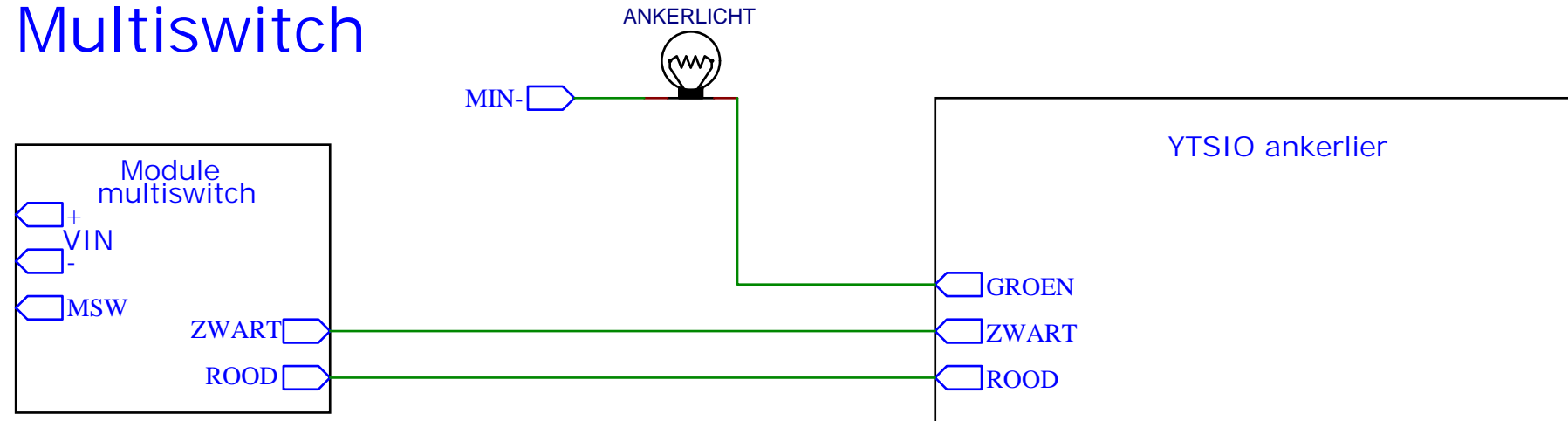


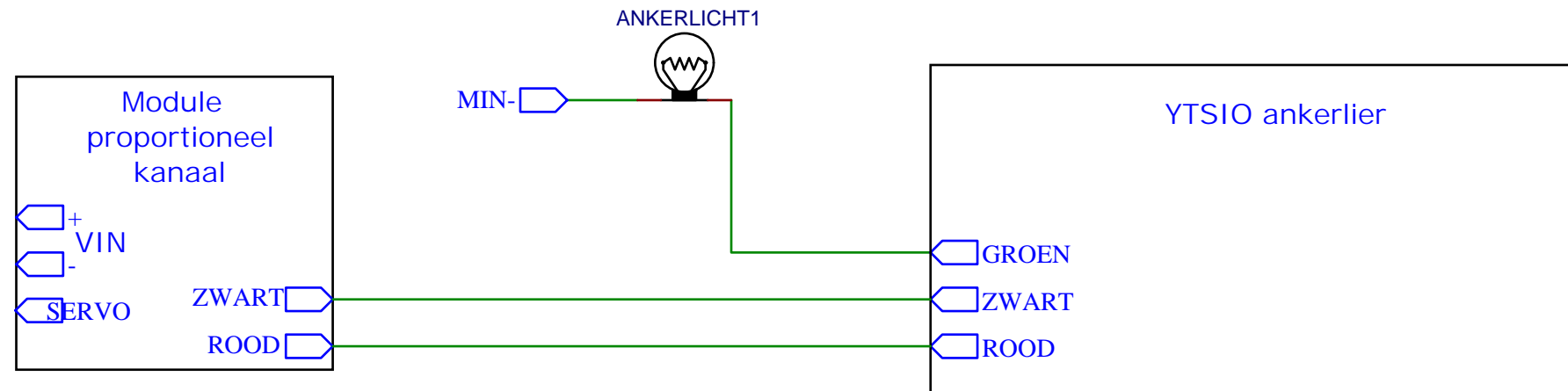
Multiswitch

Input VIN = 7,5V-15V
MAX CONT current 1.5A



Proportioneel kanaal

Input VIN = 3V-9.4V
MAX PEAK current 20A



TITLE: Ankerlier aansluitschema		REV: 1.1
YTSIO	Company: YTSIO	Sheet: 1/1
	Date: 2024-05-01	Drawn By: YTSIO